

G_200 – An innovative classic

gas ring vacuum pumps and compressors

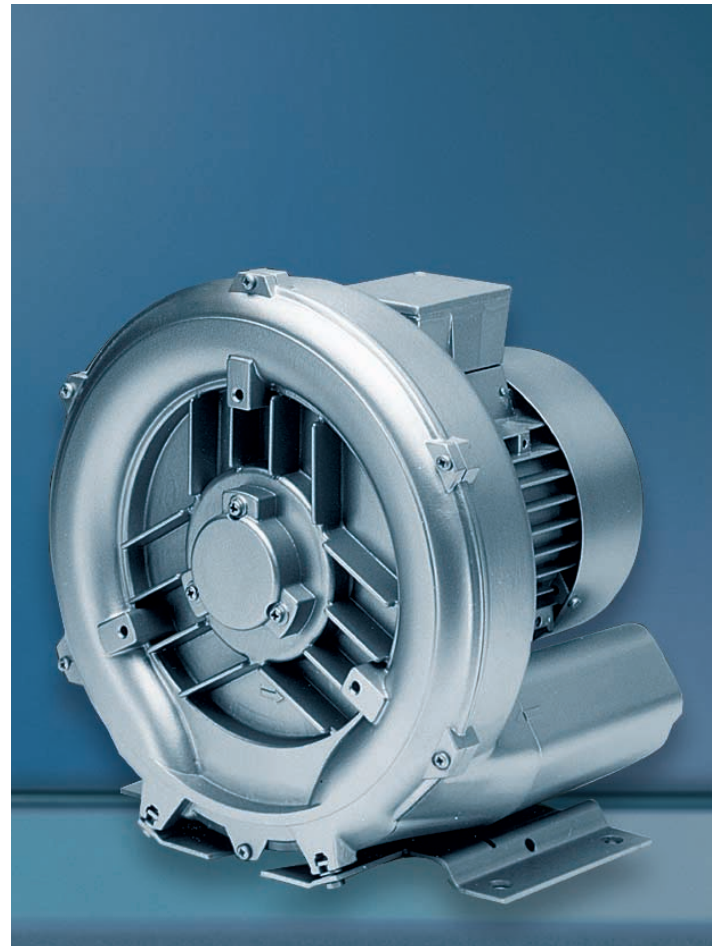
Our G_200 (2BH1) blowers have a long history of success. These quiet all-rounders, are known for their extremely high suction capacities of up to 2,500 m³/h (1,500 cfm) at pressure differences of up to 780 mbar (313 inches of H₂O). Their superior design and precise production engineering ensure a long service life and low operating costs. These extremely dependable, low-maintenance devices are the top choice for a wide range of applications in the mechanical engineering industry – even where conditions are harsh.

Comfortably quiet for better working conditions


Meeting the highest requirements in the most diverse application areas is a nash_elmo obligation. The designers and engineers in our laboratories are constantly striving to perfect performance and technology with particular emphasis on your personnel's subjective experience of noise levels. Consequently, we have significantly reduced the high tonal peaks, typical of turbomachines, making G_200 machines comfortably quiet in operation.

Variable power range

With a frequency converter installed directly on the motor or in a control cabinet, the same size machine can generate a lot more power while saving energy. This is achieved by precise control systems that always provide you with the exact amount of power needed in the process, thereby avoiding excess capacities. The result is a sustained reduction in operating costs for your system.

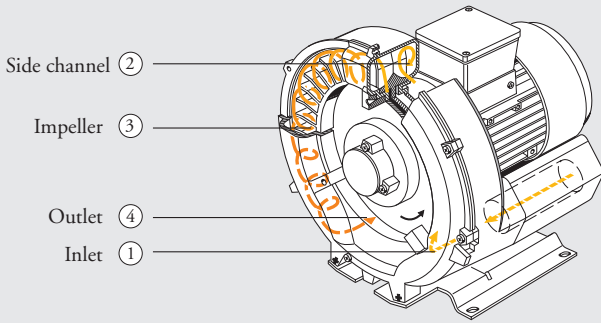
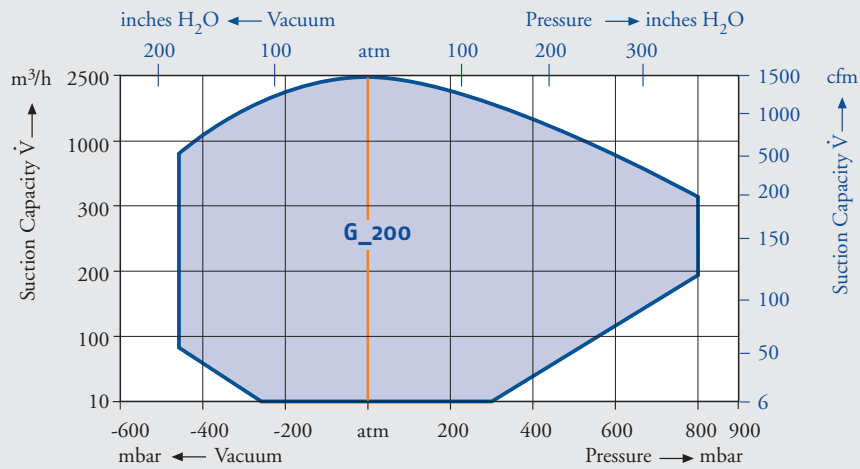


Advantages at a glance

- Significantly reduced low noise level
- Robust and durable
- Usable worldwide, available ex stock, UL- and CSA-certified 
- ATEX 94/9 EC
- Variable performance range
- Light-weight construction with compact design (aluminium cast)
- Installable in any axial orientation
- Environmentally friendly operation
- Comprehensive accessories, e. g. frequency converter and sound enclosure

Main applications

- Printing and paper processing industry
- Plastics industry
- Packaging industry
- Environmental engineering
- Water treatment
- Paper treatment
- General mechanical engineering
- ... and many more



Functional diagram

The gas is taken in through the inlet silencer ①. As it enters the side channel ②, the rotating impeller ③ imparts velocity to the gas in a spiral motion in the direction of rotation. Centrifugal force in the impeller blades accelerate the gas radially outward, pressure increases and the gas is returned to the impeller via the inner wall of the side channel. Every time the gas re-enters the impeller, kinetic energy is added, along the side channel, in the radial direction. The side channel narrows at the rotor where the gas is swept off the impeller blades and discharged through the outlet silencer ④ where it exits the pump.

Available ex stock for use anywhere in the world

G_200 machines are equipped with range voltage motors for 50 and 60 Hz in protection class IP55 (temperature class F) and are certified to UL 507 and CSA 22.2 No. 113. This means they can be used anywhere in the world, whether in Europe, Asia or America. Best of all, G_200 pumps and compressors are available at very short notice, including ATEX-certified models.

Comprehensive range of accessories

nash_elmo offers you a comprehensive range of accessories tailored to your machinery and requirements. For example sound enclosures for areas where operation noise levels are of great importance have been developed. These covers are also suitable for outdoor installation, are maintenance-free and easy to transport. For G_200 devices with open nozzles, newly designed auxiliary silencers with a rigid construction are now available to reduce noise even further.

Robust and durable in any environment

Whether at high or low temperatures, in the tropics or on the high seas, at higher rotational speeds or in mobile applications – our G_200 powerhouses demonstrate their reliability and

durability, even in continuous duty. G_200 gas ring compressors can be operated in any axial orientation and are easy and economical to install and connect.

Environmentally friendly – and inexpensive to operate

Our production process is certified to DIN EN ISO 14001. To save resources throughout their service life, G_200 pumps and compressors operate without auxiliary materials and are extremely efficient, not only protecting the environment but also reducing your costs.

Global quality management

Certified to DIN EN ISO 9001:2000, nash_elmo always puts quality and customer satisfaction first. From the initial design phase through development, production, order processing, logistics and customer support, we always give you the best.

We also design and develop solutions tailored to your individual needs. Let us know.

nash_elmo Industries
 info@nash-elmo.com
 www.nash-elmo.com

Corporate Headquarters
 Trumbull, CT
 USA
 9 Trefoil Drive
 Trumbull, CT
 06611-1330
 Tel.: +1 800 553 6274

European Headquarters
 Nuremberg
 Germany
 Katzwanger Straße 150
 D-90461 Nürnberg
 Tel.: +49 911 1454 0

Order-Nr. VNE: **B-PB007-A2-AM**
 Dispo 27801/SEK 4256
 Printed in Germany
 215900/36148 5.0/09-2003
 © 2003 All Rights Reserved